



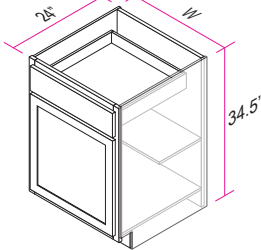
UNFINISHED

High Quality Plywood Cabinets

Details Make the Difference

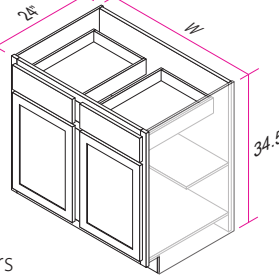
KITCHENS & BATHS

- B09
- B12
- B15
- B18
- B21
- B24



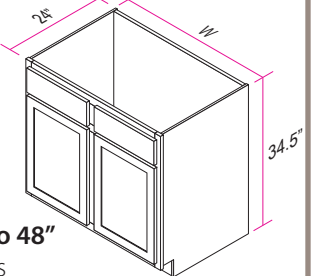
Base 9" to 24" 1 Drawer, 1 Door

- B27
- B30
- B33
- B36



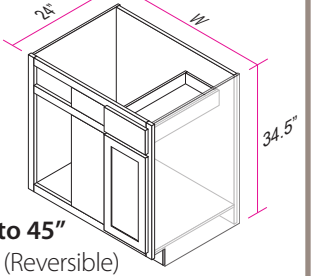
Base 27" to 36"
2 Drawers, 2 Doors

- SB30
- SB33
- SB36
- SB42
- SB48



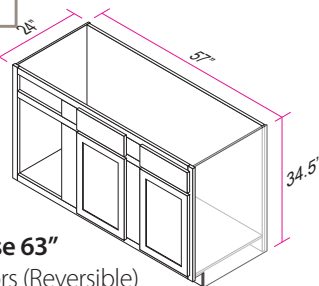
Sink Base 30" to 48"
2 Fronts, 2 Doors

- BB36
- BB39
- BB42
- BB45



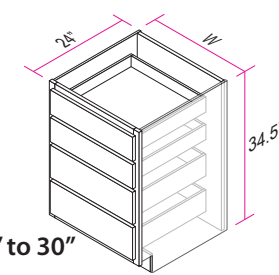
Blind Base 36" to 45"
1 Drawer, 1 Door (Reversible)

- BB63



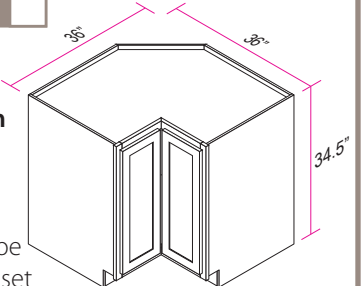
Blind Sink Base 63"
2 Fronts, 2 Doors (Reversible)

- DB12
- DB15
- DB18
- DB24
- DB30



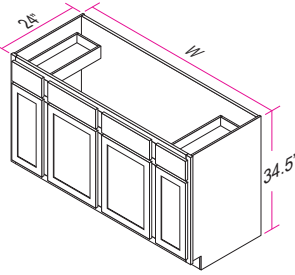
Drawer Base 12" to 30"
4 Drawers

- LSB36



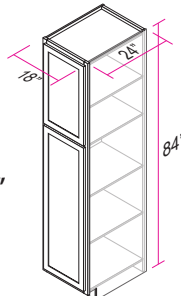
Lazy Susan Base 36"
2 Doors
2 Shelves
Kidney shape
Lazy Susan set

- SBC60
- SBC72



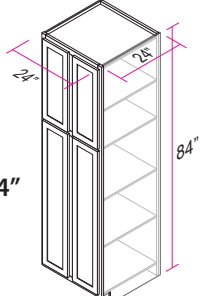
Sink Base 60" & 72"
2 Drawers
2 Fronts
4 Doors

- UC188424



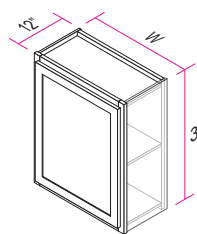
Utility Cabinet 18" x 84"
2 Doors
3 Adjustable shelves
1 Fixed shelf

- UC248424



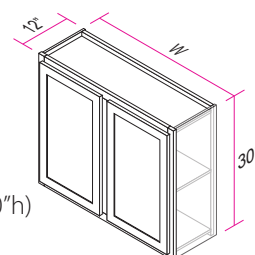
Utility Cabinet 24" x 84"
4 Doors
3 Adjustable shelves
1 Fixed shelf

- W0930
- W1230
- W1530
- W1830
- W2130
- W2430



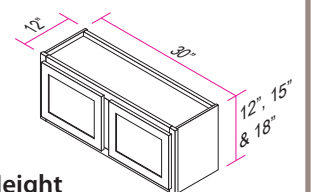
Wall 9" to 24" (30"h) 1 Door, 1 Adjustable shelf

- W2730
- W3030
- W3330
- W3630



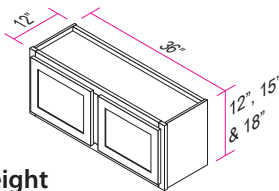
Wall 27" to 36" (30"h)
2 Doors
1 Adjustable shelf

- W3012
- W3015
- W3018



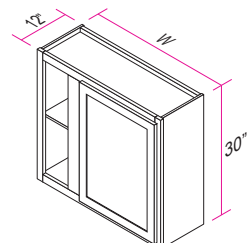
Wall 30" x 12", 15" & 18" Height
2 Doors
(Stove Cabinet) *24" Deep available

- W3612
- W3615
- W3618



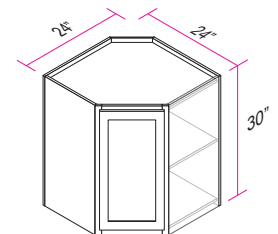
Wall 36" x 12", 15" & 18" Height
2 Doors
(Fridge Cabinet) *24" Deep available

- BW2430
- BW2730
- BW3030
- BW3330
- BW3630
- BW3930

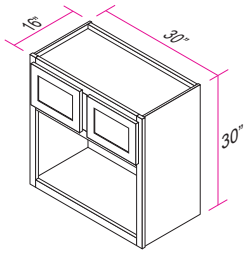
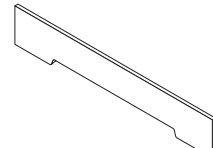
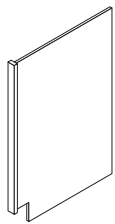

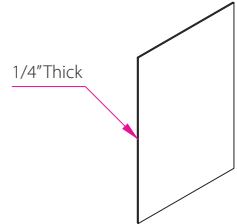

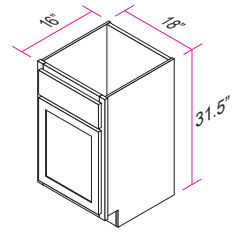
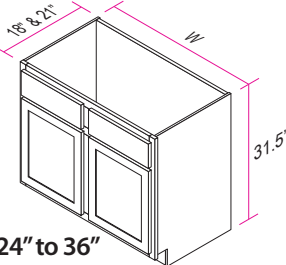
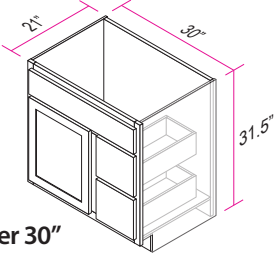
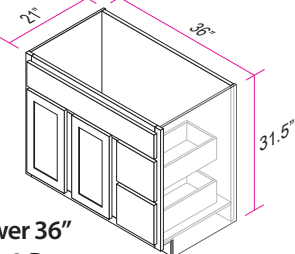
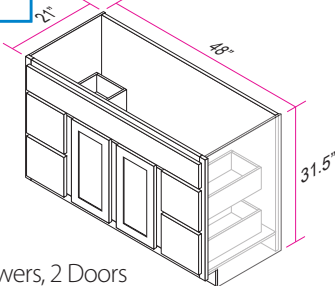
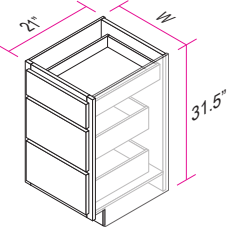
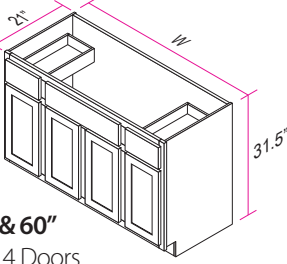
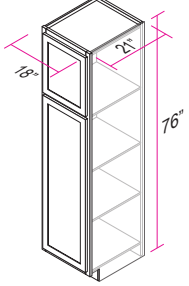
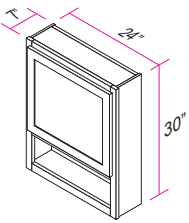
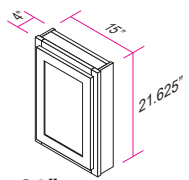


Blind Wall 24" to 39" (30"h) 1 Door (Reversible)

- DCW2430



24" Diagonal Corner
1 Door
1 Shelf

<p>WM3030</p>  <p>30" Microwave Wall Cabinet 30" Height 2 Door (16" Deep)</p>	<p>VA8X48</p>  <p>Valance 8" x 48"</p>	<p>DS</p>  <p>Dishwasher End Panel 1.5" x 34.5" x 24"</p>
<p>FS331</p>  <p>30" Wall End Panel</p> <p>1/4" Thick</p> <p>30" Wall End Panel</p>	<p>WS30</p>  <p>1/4" Thick</p> <p>24" Base End Panel</p>	<p>BS</p>  <p>1/4" Thick</p> <p>84" Base End Panel</p>
<p>VA1816</p>  <p>Vanity Sink Base 18" 16" Deep 1 Front, 1 Door</p>	<p>VA2418</p> <p>VA3018</p> <p>VA2421</p> <p>VA3021</p> <p>VA3621</p>  <p>Vanity Sink Base 24" to 36" 2 Fronts, 2 Doors</p>	<p>VASD3021</p>  <p>Vanity Side Drawer 30" 1 Front, 2 Drawers, 1 Door</p>
<p>VASD3621</p>  <p>Vanity Side Drawer 36" 1 Front, 2 Drawers, 2 Doors</p>	<p>VASD4821</p>  <p>Vanity Side Drawer 48" 1 Front, 4 Drawers, 2 Doors</p>	<p>VA12213D</p> <p>VA15213D</p> <p>VA18213D</p>  <p>Vanity Drawer Base 12" to 18" 3 Drawers (SMM)</p>
<p>VA4821</p> <p>VA6021</p>  <p>Startup Bath 48" & 60" 1 Front, 2 Drawers, 4 Doors</p>	<p>LH1876</p>  <p>Linen Cabinet 18" 76" Height 2 Doors 2 Adjustable shelves 1 Fixed shelf</p>	<p>OJ2430</p>  <p>Over John 24" x 30" 7" Deep 1 Door, 1 Cubby</p>
<p>MC1521</p>  <p>Medicine Cabinet 15" x 21" 4" Deep 1 Door</p>	<p style="text-align: center;">UNFINISHED</p> <p style="text-align: center;">High Quality Plywood Cabinets</p> <p style="text-align: center;">DetailsMake the Difference</p> <p style="text-align: center;">KITCHENS & BATHS</p> <p>Name _____</p> <p>_____</p> <p>Sign _____</p>	



KITCHENS
RETAIL FOB WESLACO
 Slides Full Extension

Jan-23

Face Frame Unfinished KITCHEN Cabinets		PINE CLEAN	KNOTTY PINE	POPLAR	GERMAN BEECH	Face Frame Unfinished KITCHEN Cabinets		PINE CLEAN	KNOTTY PINE	POPLAR	GERMAN BEECH
MODEL	DESCRIPTION	PFC	PFP	PP	GB	MODEL	DESCRIPTION	PFC	PFP	PP	GB
SB30	30" SINK BASE UNF	252.33	188.33	184.55	201.60	BW3342	33" x 42" BLNDWALL UNF	212.11	148.13	144.17	159.72
SB33	33" SINK BASE UNF	266.17	196.49	192.17	210.51	BW3642	36" x 42" BLNDWALL UNF	229.11	157.31	152.26	169.00
SB36	36" SINK BASE UNF	275.12	199.78	194.91	214.55	BW3942	39" x 42" BLNDWALL UNF	246.13	166.53	160.38	178.32
SB42	42" SINK BASE UNF	310.19	223.53	217.54	239.76	W3012	30X12 WALL UNF	113.01	84.73	83.56	90.72
SB48	48" SINK BASE UNF	338.21	240.24	233.12	257.93	W3015	30X15 WALL UNF	126.50	92.13	90.39	98.80
B09	9" BASE UNF	172.79	152.11	151.34	157.28	W3018	30X18 WALL UNF	139.94	99.49	97.16	106.82
B12	12" BASE UNF	190.27	163.92	162.59	169.82	W3612	36X12 WALL UNF	127.05	93.98	92.47	100.80
B15	15" BASE UNF	206.74	174.73	172.85	181.37	W3615	36X15 WALL UNF	142.95	102.71	100.43	110.13
B18	18" BASE UNF	224.19	186.53	184.09	193.91	W3618	36X18 WALL UNF	158.10	110.70	107.65	118.72
B21	21" BASE UNF	242.85	199.52	196.52	207.64	W301224	30X12X24 WALL UNF	131.13	102.84	101.67	108.83
B24	24" BASE UNF	257.39	208.41	204.85	217.25	W301524	30X15X24 WALL UNF	146.10	111.73	109.99	118.40
B27	27" BASE UNF	346.32	287.98	284.76	300.52	W301824	30X18X24 WALL UNF	162.25	121.80	119.48	129.13
B30	30" BASE UNF	362.86	298.85	295.08	312.13	W361224	36X12X24 WALL UNF	147.88	114.81	113.30	121.63
B33	33" BASE UNF	379.46	309.77	305.45	323.79	W361524	36X15X24 WALL UNF	164.29	124.05	121.77	131.47
B36	36" BASE UNF	391.15	315.82	310.94	330.58	W361824	36X18X24 WALL UNF	182.15	134.75	131.70	142.77
BTC15	15" BASE TRASH CAN	195.24	161.84	159.42	166.96	WM3030	30X30 WALL MICROWV UNF	163.31	128.32	127.89	138.13
BTC18	18" BASE TRASH CAN	238.44	199.22	196.04	204.54	DCW2430	24" x 30" DIAGWALL UNF	159.19	123.05	120.24	128.19
BTC21	21" BASE TRASH CAN	256.66	211.62	207.68	217.15	DCW2436	24" x 36" DIAGWALL UNF	191.01	148.06	144.55	153.83
DB12	12" DRW BASE UNF	346.37	326.95	326.81	335.71	DCW2442	24" x 42" DIAGWALL UNF	211.28	161.53	157.32	167.93
DB15	15" DRW BASE UNF	369.99	345.87	345.84	356.88	UC188424	18X84" PANTRY UNF	376.54	275.33	266.23	287.20
DB18	18" DRW BASE UNF	394.58	365.75	365.84	379.04	UC248424	24X84" PANTRY UNF	516.04	373.91	364.36	397.34
DB21	21" DRW BASE UNF	418.56	385.04	387.04	402.39	UC308424	30X84" PANTRY UNF	588.77	416.50	402.63	440.10
DB24	24" DRW BASE UNF	442.43	404.22	404.51	422.01	UC368424	36X84" PANTRY UNF	667.40	464.98	446.77	488.72
DB30	30" DRW BASE UNF	505.15	457.53	458.04	479.84	UC189024	18X90" PANTRY UNF	396.41	288.04	278.17	300.52
DB2D24	24" DRW BASE 2DRW UNF	260.98	224.60	226.15	242.82	UC249024	24X90" PANTRY UNF	542.81	390.69	380.36	415.58
DB2D30	30" DRW BASE 2DRW UNF	300.26	255.05	257.15	277.88	UC309024	30X90" PANTRY UNF	619.10	434.67	419.64	459.59
W0930	9X30 WALL UNF	85.87	64.77	63.91	69.33	UC369024	36X90" PANTRY UNF	701.45	484.71	464.97	509.66
W1230	12X30 WALL UNF	98.78	72.03	70.44	76.81	UC188424DRW	18X84" PANTRY WDRW UNF	441.72	342.06	333.72	356.01
W1530	15X30 WALL UNF	111.95	79.56	77.23	84.56	UC248424DRW	24X84" PANTRY WDRW UNF	579.76	439.57	430.89	465.44
W1830	18X30 WALL UNF	124.65	86.62	83.56	91.83	UC308424DRW	30X84" PANTRY WDRW UNF	661.38	491.38	478.78	518.46
W2130	21X30 WALL UNF	137.24	93.57	89.79	99.01	UC368424DRW	36X84" PANTRY WDRW UNF	745.71	545.89	529.37	574.19
W2430	24X30 WALL UNF	152.89	103.58	99.07	109.24	UC189024DRW	18X90" PANTRY WDRW UNF	461.59	354.77	345.66	369.32
W2730	27X30 WALL UNF	189.93	130.81	126.89	140.59	UC249024DRW	24X90" PANTRY WDRW UNF	606.52	456.37	446.88	483.68
W3030	30X30 WALL UNF	202.30	137.53	132.88	147.52	UC309024DRW	30X90" PANTRY WDRW UNF	691.71	509.55	495.78	537.96
W3330	33X30 WALL UNF	215.14	144.74	139.35	154.94	UC369024DRW	36X90" PANTRY WDRW UNF	779.78	565.64	547.58	595.14
W3630	36X30 WALL UNF	228.03	151.97	145.86	162.41	LSB36	36" LZV SUSAN UNF	336.27	284.57	280.86	292.40
W0936	9X36 WALL UNF	99.92	74.91	73.83	80.25	BB36	36" BLIND BSE UNF	256.84	214.64	215.84	231.22
W1236	12X36 WALL UNF	115.37	83.63	81.64	89.14	BB39	39" BLIND BSE UNF	267.33	222.92	223.18	238.27
W1536	15X36 WALL UNF	131.22	92.76	89.85	98.42	BB42	42" BLIND BSE UNF	277.86	231.24	230.56	245.36
W1836	18X36 WALL UNF	145.91	100.72	96.91	106.55	BB45	45" BLIND BSE UNF	288.31	239.47	237.87	252.38
W2136	21X36 WALL UNF	161.95	110.04	105.31	116.02	BB63	63" BLIND BSE UNF	351.32	264.04	261.24	287.24
W2436	24X36 WALL UNF	177.35	118.71	113.07	124.85	BB96	96" BLIND BSE UNF	447.76	338.76	334.43	366.03
W2736	27X36 WALL UNF	222.55	152.35	147.45	163.52	SBC60	60" SINK BASE UNF	563.23	435.20	427.67	461.77
W3036	30X36 WALL UNF	237.79	160.87	155.05	172.19	SBC72	72" SINK BASE UNF	631.67	480.99	471.25	510.52
W3336	33X36 WALL UNF	253.52	169.86	163.13	181.34	VA8X48	VALANCE UNF	57.99	40.98	41.87	48.04
W3636	36X36 WALL UNF	268.37	178.00	170.36	189.64	FS331	3X31 FILL STRP UNF	12.86	8.69	8.91	10.42
W0942	9X42 WALL UNF	112.75	83.83	82.53	89.96	FS336	3X36 FILL STRP UNF	14.76	9.93	10.18	11.93
W1242	12X42 WALL UNF	129.92	93.19	90.80	99.42	FS342	3X42 FILL STRP UNF	17.03	11.39	11.69	13.73
W1542	15X42 WALL UNF	147.50	102.96	99.47	109.29	FS384	3X84 FILL STRP UNF	32.92	21.64	22.23	26.32
W1842	18X42 WALL UNF	163.91	111.56	106.98	117.99	FS390	3X90 FILL STRP UNF	35.21	23.13	23.76	28.15
W2142	21X42 WALL UNF	181.23	121.07	115.39	127.60	FS396	3X96 FILL STRP UNF	37.53	24.63	25.31	29.99
W2442	24X42 WALL UNF	198.81	130.84	124.06	137.46	FS631	6X31 FILL STRP UNF	24.81	16.48	16.92	19.94
W2742	27X42 WALL UNF	250.46	169.19	163.30	181.74	FS636	6X36 FILL STRP UNF	28.59	18.92	19.43	22.94
W3042	30X42 WALL UNF	267.43	178.34	171.36	190.99	FS642	6X42 FILL STRP UNF	33.11	21.83	22.42	26.51
W3342	33X42 WALL UNF	284.86	187.97	179.89	200.72	FS684	6X84 FILL STRP UNF	64.19	41.62	42.80	50.99
W3642	36X42 WALL UNF	301.45	196.75	187.57	209.59	FS690	6X90 FILL STRP UNF	68.75	44.57	45.84	54.61
BW2430	24" x 30" BLNDWALL UNF	122.09	92.36	91.99	100.83	FS696	6X96 FILL STRP UNF	73.33	47.54	48.90	58.25
BW2730	27" x 30" BLNDWALL UNF	135.29	99.92	98.82	108.60	DS	DISHWASHER END UNF	20.85	18.77	18.88	19.63
BW3030	30" x 30" BLNDWALL UNF	148.81	107.80	105.97	116.71	US84	84" TALL SKIN UNF	23.82	45.06	23.82	38.17
BW3330	33" x 30" BLNDWALL UNF	161.62	114.96	112.41	124.09	BS	BASE END UNF	10.99	21.61	10.99	18.17
BW3630	36" x 30" BLNDWALL UNF	174.46	122.17	118.88	131.51	WS30	30" WALL END UNF	5.86	9.40	5.86	8.25
BW3930	39" x 30" BLNDWALL UNF	187.34	129.40	125.39	138.97	SM	96" SCREN MOULD	11.92	8.70	8.87	10.04
BW2436	24" x 36" BLNDWALL UNF	142.86	107.73	107.21	117.61	TOEKI	4" X 96" TOE KICK UNF	6.10	9.96	6.10	8.71
BW2736	27" x 36" BLNDWALL UNF	158.71	116.84	115.41	126.88			-	-	-	-
BW3036	30" x 36" BLNDWALL UNF	175.03	126.44	124.10	136.64			-	-	-	-
BW3336	33" x 36" BLNDWALL UNF	190.26	134.95	131.69	145.31			-	-	-	-
BW3636	36" x 36" BLNDWALL UNF	205.55	143.51	139.33	154.02			-	-	-	-
BW3936	39" x 36" BLNDWALL UNF	220.85	152.08	147.00	162.76			-	-	-	-
BW2442	24" x 42" BLNDWALL UNF	159.53	118.99	118.31	130.28			-	-	-	-
BW2742	27" x 42" BLNDWALL UNF	177.10	128.74	126.98	140.14			-	-	-	-
BW3042	30" x 42" BLNDWALL UNF	195.15	138.98	136.12	150.47			-	-	-	-

**Prices may change without notice

**Contact us: 956-461-0682 / orderprocess@kapalindustries.com

*3.5% credit card fees apply

www.kapalindustries.com



BATHROOMS
RETAIL FOB WESLACO
 Slides Full Extension

Jan-23

Face Frame Unfinished BATHROOM Cabinets		PINE CLEAN	KNOTTY PINE	POPLAR	GERMAN BEECH	Face Frame Unfinished BATHROOM Cabinets		PINE CLEAN	KNOTTY PINE	POPLAR	GERMAN BEECH
MODEL	DESCRIPTION	PFC	PFP	PP	GB	MODEL	DESCRIPTION	PFC	PFP	PP	GB
VA1816-C	VANITY & TOP (COMBO 18") L	184.50	150.42	148.36	157.49			-	-	-	-
VA2418-C	VANITY & TOP (COMBO 24") L	245.35	197.16	195.08	208.65			-	-	-	-
VA3018-C	VANITY & TOP (COMBO 30") L	285.10	226.66	223.66	239.69			-	-	-	-
VA1816	VANITY SINK BASE 18" X 16"	138.17	104.08	102.02	111.16			-	-	-	-
VA2418	VANITY SINK BASE 24" X 18"	184.67	136.48	134.40	147.97			-	-	-	-
VA3018	VANITY SINK BASE 30" X 18"	211.38	152.94	149.94	165.97			-	-	-	-
VA2421	VANITY SINK BASE 24" UNF	190.96	142.77	140.68	154.26			-	-	-	-
VA2721	VANITY SINK BASE 27" UNF	203.74	150.42	147.88	162.68			-	-	-	-
VA3021	VANITY SINK BASE 30" UNF	215.30	156.85	153.85	169.89			-	-	-	-
VA3321	VANITY SINK BASE 33" UNF	227.31	163.75	160.28	177.55			-	-	-	-
VA3621	VANITY SINK BASE 36" UNF	239.37	170.70	166.76	185.26			-	-	-	-
VASD3021	VANITY SIDE DRW 30" UNF	322.09	270.89	269.00	285.97			-	-	-	-
VASD3621	VANITY SIDE DRW 36" UNF	366.28	300.98	299.06	320.47			-	-	-	-
VASD4821	VANITY SIDE DRW 48" UNF	547.49	465.08	463.33	492.58			-	-	-	-
VA12213D	VANITY DRAWER 12" UNF	267.56	250.25	250.31	258.24			-	-	-	-
VA15213D	VANITY DRAWER 15" UNF	287.02	265.55	265.75	275.58			-	-	-	-
VA18213D	VANITY DRAWER 18" UNF	306.65	281.02	281.37	293.11			-	-	-	-
OJ2430	OVER JOHN UNF	129.40	90.35	87.72	96.91			-	-	-	-
MC1521	MEDICINE CABINET UNF	77.31	53.41	51.90	57.48			-	-	-	-
VA4821	START UP BATH 48" UNF	435.65	339.77	335.42	362.33			-	-	-	-
VA6021	START UP BATH 60" UNF	498.51	382.13	375.94	407.78			-	-	-	-
VSB600DD	VANITY SINK BASE 60" OPEN	492.89	402.75	401.00	427.01			-	-	-	-
VSB720DD	VANITY SINK BASE 72" OPEN	537.75	435.17	431.70	460.95			-	-	-	-
LH1876	LINEN 18" UNF	336.59	245.33	237.30	256.38			-	-	-	-

**Prices may change without notice

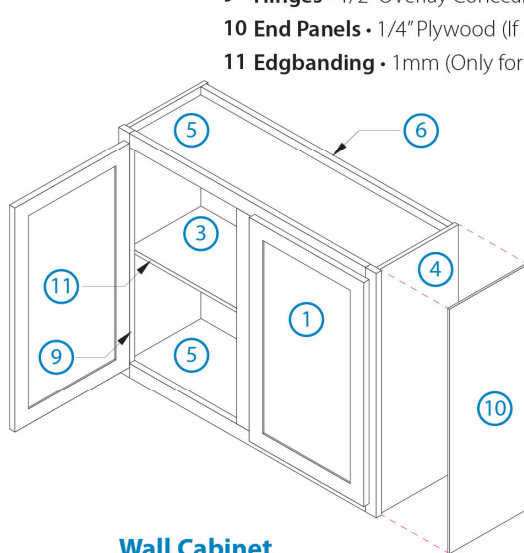
**Contact us: 956-461-0682 / orderprocess@kapalindustries.com

*3.5% credit card fees apply

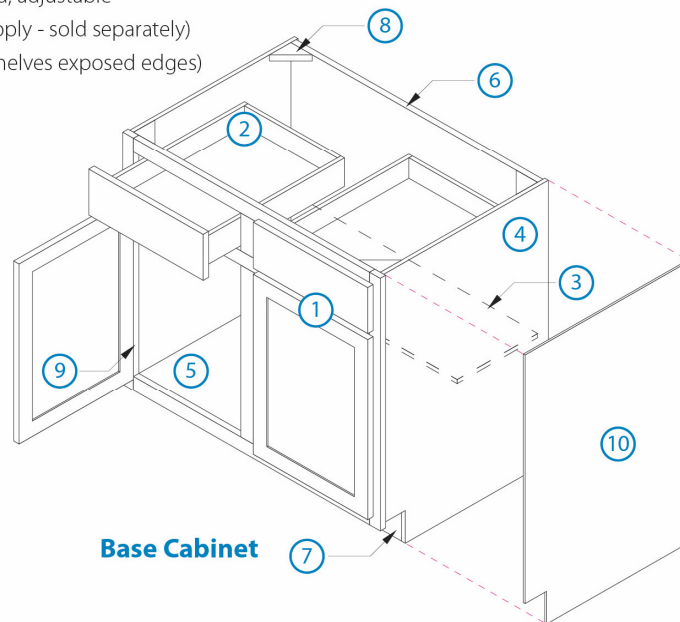
www.kapalindustries.com

Faceframe Cabinets Standard Overlay - UNFINISHED / Full Extension Slides

- 1 **Faceframe** • 3/4" Solid wood Frames, Doors and Fronts (See wood species and door style)
- 2 **Drawer** • Sides - 1/2" Birch Plywood, Bottom - 1/4" Plywood, Guides • Full Extension 200 lbs cap.
- 3 **Shelves** • 3/4" Birch Plywood, Wall Cabinets - Adjustable, Base Cabinets - Fixed
- 4 **Cabinet Sides** • 1/2" Birch Plywood
- 5 **Cabinet Tops & Bottom** • 1/2" Birch Plywood
- 6 **Cabinet Backs** • 1/2" Plywood
- 7 **Toe Kick** • 1/4" Plywood (If apply - sold separately)
- 8 **Corner Blocks** • Solid Wood
- 9 **Hinges** • 1/2" Overlay Concealed, adjustable
- 10 **End Panels** • 1/4" Plywood (If apply - sold separately)
- 11 **Edgbanding** • 1mm (Only for shelves exposed edges)



Wall Cabinet
30" Height



Base Cabinet

* Dado construction & Hot glue on drawer bottom