

***Special Order Items**
(Non Stock)



CLOSETS

***LUXURY CORNER LAZY SHOE WOMEN**
TOWCOR-2416W 24" CAP 25 -

***UPPER CORNER**
TOPCORN 25.5" X 25.5" -

***CORNER SHELVE**
CORSHEL 24" X 16" -

***LUXURY CORNER LAZY SHOES MEN**
TOWCOR-2416M 24" CAP 20 -

***UPPER CABINET**

TOP 18	18"	<input type="checkbox"/>
TOP 24	24"	<input type="checkbox"/>
TOP 30	30"	<input type="checkbox"/>
TOP 36	36"	<input type="checkbox"/>

JEWELRY DRAWER TOWER
TOWJEW-2416 24" -
Includes Jewelry Inserts

DRAWER TOWER

TOWDRA-1816	18"	<input type="checkbox"/>
TOWDRA-2416	24"	<input type="checkbox"/>
TOWDRA-3016	30"	<input type="checkbox"/>
TOWDRA-3616	36"	<input type="checkbox"/>

TOP SHELVE
TOPSHEL 18" X 96" -

PANTS RACK TOWER

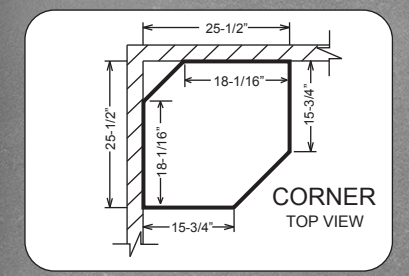
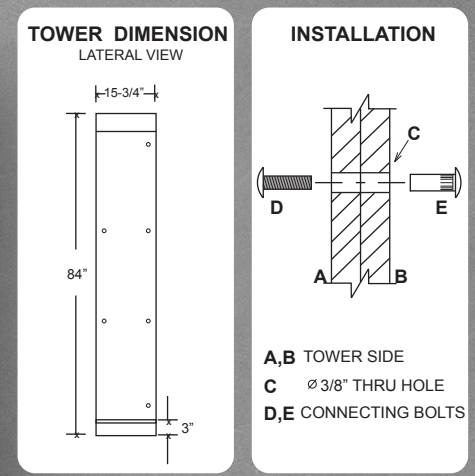
TOWPAN-1816	18" CAP 27	<input type="checkbox"/>
TOWPAN-2416	24" CAP 39	<input type="checkbox"/>
TOWPAN-3016	30" CAP 48	<input type="checkbox"/>

LUXURY SHOE TOWER

TOWSHOE-1816	18" CAP 18 PAIRS	<input type="checkbox"/>
TOWSHOE-2416	24" CAP 18 PAIRS	<input type="checkbox"/>
TOWSHOE-3016	30" CAP 27 PAIRS	<input type="checkbox"/>
TOWSHOE-3616	36" CAP 36 PAIRS	<input type="checkbox"/>

HANGING ROD TOWER

TOWHAN-1816	18" CAP 18	<input type="checkbox"/>
TOWHAN-2416	24" CAP 24	<input type="checkbox"/>
TOWHAN-3016	30" CAP 30	<input type="checkbox"/>
TOWHAN-3616	36" CAP 36	<input type="checkbox"/>



- SOLD SEPARATELY**
- ① JEWELRY INSERTS
CJD-24IS 24"
 - ② VALET ROD
CVR14-SN 14"
 - ③ PANTS RACK
PSC-1814CR 14"
PSC-2414CR 24"
PSC-3014CR 30"
 - ④ BELT BUTLER
CWTBR-14B-1 4 X 13"
 - ⑤ TIE BUTLER
CWTR-14B-1 5 X 13"
 - ⑥ SIDE MOUNT BELT RACK
BRC-14SN 14"
 - FILLER
FILLTOW-684 6" X 84"

Select Color

<input type="checkbox"/>	<input type="checkbox"/>	<input type="checkbox"/>	<input type="checkbox"/>
Fresno Bruma	Cairo Lino	Laricina	Nogal Neo
<input type="checkbox"/>	<input type="checkbox"/>	<input type="checkbox"/>	Special Order <input type="checkbox"/>

customer _____
 address _____
 email _____
 contact phone _____ city _____

*Prices may change without notice.
 *Delivery, Installation and Taxes not included.
 *Hinges are not included. Updated Jan 2021

MODULAR TOWER

ACCESSORIES

SKU	DIMENSION	DESCRIPTION	SKU	DIMENSION	DESCRIPTION
SHELVE			*LUXURY CORNER LAZY SHOE WOMEN		
TOPSHEL	18" x 96"	<input type="checkbox"/>	TOWCOR-2416W	25-1/2" x 25-1/2" x 84"	CAP 25 - <input type="checkbox"/>
*CORSHEL	25-1/2" x 25-1/2"	<input type="checkbox"/>	*LUXURY CORNER LAZY SHOE MEN		
*UPPER CORNER			TOWCOR-2416M	25-1/2" x 25-1/2" x 84"	CAP 20 - <input type="checkbox"/>
TOPCOR	25-1/2" x 25-1/2"	<input type="checkbox"/>	*UPPER CABINET		
SHELVE TOWER			TOP 18	19-1/2" x 15-3/4" x 30"	<input type="checkbox"/>
TOWSHEL-1216	13-1/2" x 15-3/4" x 84"	5 SHELVE- <input type="checkbox"/>	TOP 24	25-1/2" x 15-3/4" x 30"	<input type="checkbox"/>
TOWSHEL-1816	19-1/2" x 15-3/4" x 84"	5 SHELVE- <input type="checkbox"/>	TOP 30	31-1/2" x 15-3/4" x 30"	<input type="checkbox"/>
TOWSHEL-2416	25-1/2" x 15-3/4" x 84"	5 SHELVE- <input type="checkbox"/>	TOP 36	37-1/2" x 15-3/4" x 30"	<input type="checkbox"/>
TOWSHEL-3016	31-1/2" x 15-3/4" x 84"	5 SHELVE- <input type="checkbox"/>	MEN'S TIER LAZY SHOE ZEN		
TOWSHEL-3616	37-1/2" x 15-3/4" x 84"	5 SHELVE- <input type="checkbox"/>	CLSZ-M5-96-1	95" - 103"	<input type="checkbox"/>
LUXURY SHOE TOWER			WOMEN'S TIER LAZY SHOE ZEN		
TOWSHOE-1816	19-1/2" x 15-3/4" x 84"	CAP 18 PAIRS- <input type="checkbox"/>	CLSZ-W5-96-1	95" - 103"	<input type="checkbox"/>
TOWSHOE-2416	25-1/2" x 15-3/4" x 84"	CAP 18 PAIRS- <input type="checkbox"/>	BELT BUTLER		
TOWSHOE-3016	31-1/2" x 15-3/4" x 84"	CAP 27 PAIRS- <input type="checkbox"/>	CWTBR-14B-1	4-1/2" x 3-3/8" x 13-7/8"	<input type="checkbox"/>
TOWSHOE-3616	37-1/2" x 15-3/4" x 84"	CAP 36 PAIRS- <input type="checkbox"/>	TIE BUTLER		
DRAWER TOWER			CWTTR-14B-1	5" x 3-3/8" x 13-7/8"	<input type="checkbox"/>
TOWDRA-1816	19-1/2" x 15-3/4" x 84"	<input type="checkbox"/>	PANTS RACK		
TOWDRA-2416	25-1/2" x 15-3/4" x 84"	<input type="checkbox"/>	PSC-1814CR	17-1/2" x 18-1/8" x 14"	<input type="checkbox"/>
TOWDRA-3016	31-1/2" x 15-3/4" x 84"	<input type="checkbox"/>	PSC-2414CR	23-3/4" x 24-1/2" x 14"	<input type="checkbox"/>
TOWDRA-3616	37-1/2" x 15-3/4" x 84"	<input type="checkbox"/>	PSC-3014CR	29-3/4" x 30-1/2" x 14"	<input type="checkbox"/>
JEWELRY DRAWER TOWER			VALET ROD		
TOWJEW-2416	25-1/2" x 15-3/4" x 84"	<input type="checkbox"/>	CVR-14-SN	13-7/8" x 21-7/8"	<input type="checkbox"/>
PANTS RACK TOWER			PULL DOWN ROD		
TOWPAN-1816	19-1/2" x 15-3/4" x 84"	CAP 27 - <input type="checkbox"/>	CPDR-1826	21-1/2" x 26"	<input type="checkbox"/>
TOWPAN-2416	25-1/2" x 15-3/4" x 84"	CAP 39 - <input type="checkbox"/>	CPDR-2635	26" x 35"	<input type="checkbox"/>
TOWPAN-3016	31-1/2" x 15-3/4" x 84"	CAP 48 - <input type="checkbox"/>	CPDR-3548	35" x 48"	<input type="checkbox"/>
HANGING ROD TOWER			SIDE MOUNT BELT RACK		
TOWHAN-1816	19-1/2" x 15-3/4" x 84"	CAP 18 - <input type="checkbox"/>	BRC-14SN	2-1/2" x 14" x 1-7/8"	<input type="checkbox"/>
TOWHAN-2416	25-1/2" x 15-3/4" x 84"	CAP 24 - <input type="checkbox"/>	JEWELRY INSERTS		
TOWHAN-3016	31-1/2" x 15-3/4" x 84"	CAP 30 - <input type="checkbox"/>	CJD-24IS	22" x 13" x 1-1/2"	<input type="checkbox"/>
TOWHAN-3616	37-1/2" x 15-3/4" x 84"	CAP 36 - <input type="checkbox"/>	JEWELRY NECKLACE		
			CJD-24IN	22" x 13" x 1-1/2"	<input type="checkbox"/>
			FILLER		
			FILLTOW-684	6" x 84"	<input type="checkbox"/>



- ✓ Laminated Material
- ✓ Assambled
- ✓ NO Professional Installation Required

Select Color

Fresno Bruma

Cairo Lino

Laricina

Nogal Neo

Special Order

customer _____

address _____

email _____

contact phone _____ city _____

DISTRIBUTOR


SAN ANTONIO

LAREDO

CORPUS

AUSTIN

HOUSTON



RH
CABINET
HARDWARE
361-853-6800

